

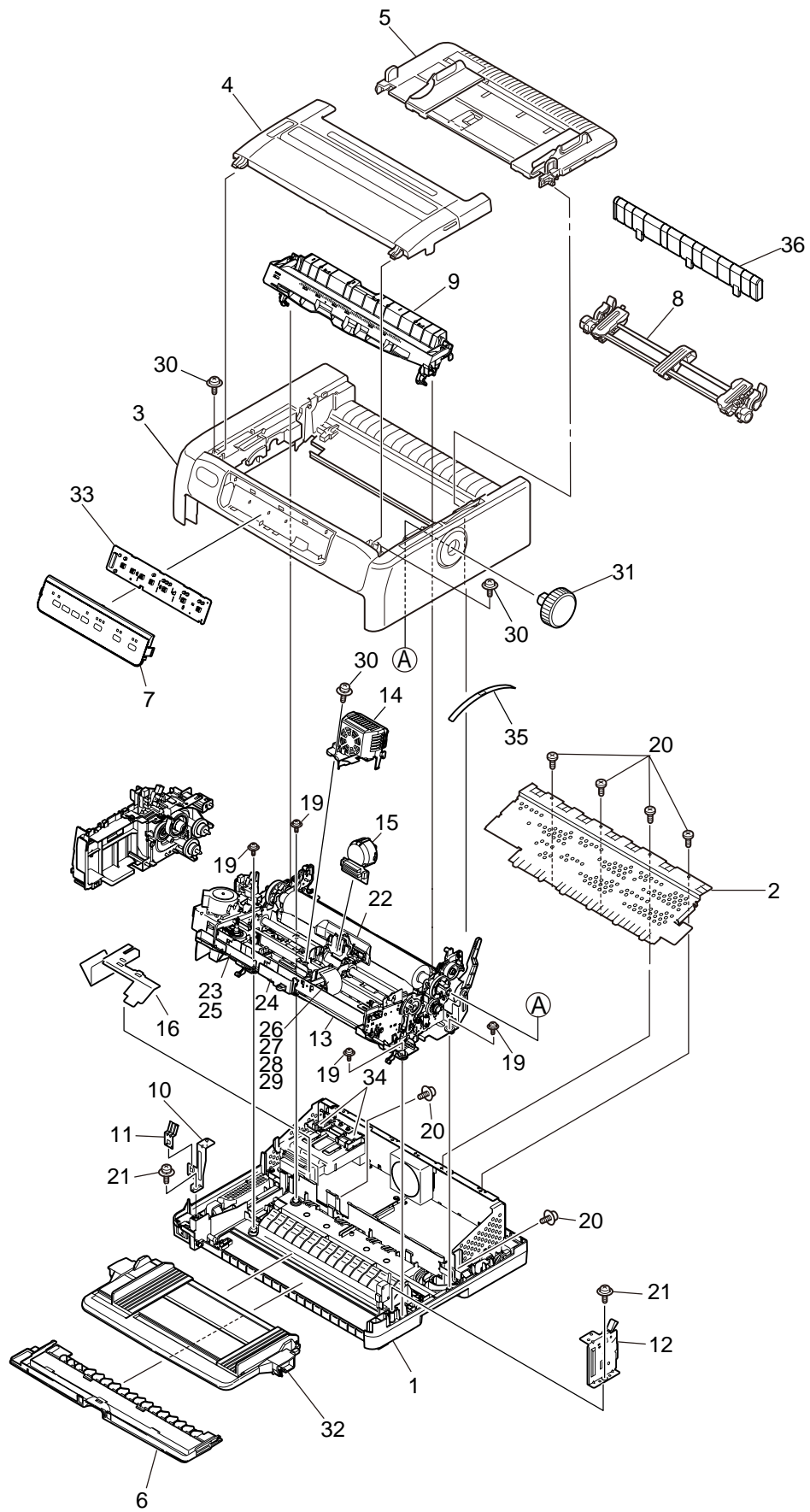
OEL Spare Parts Drawing

ML5790/ML5791

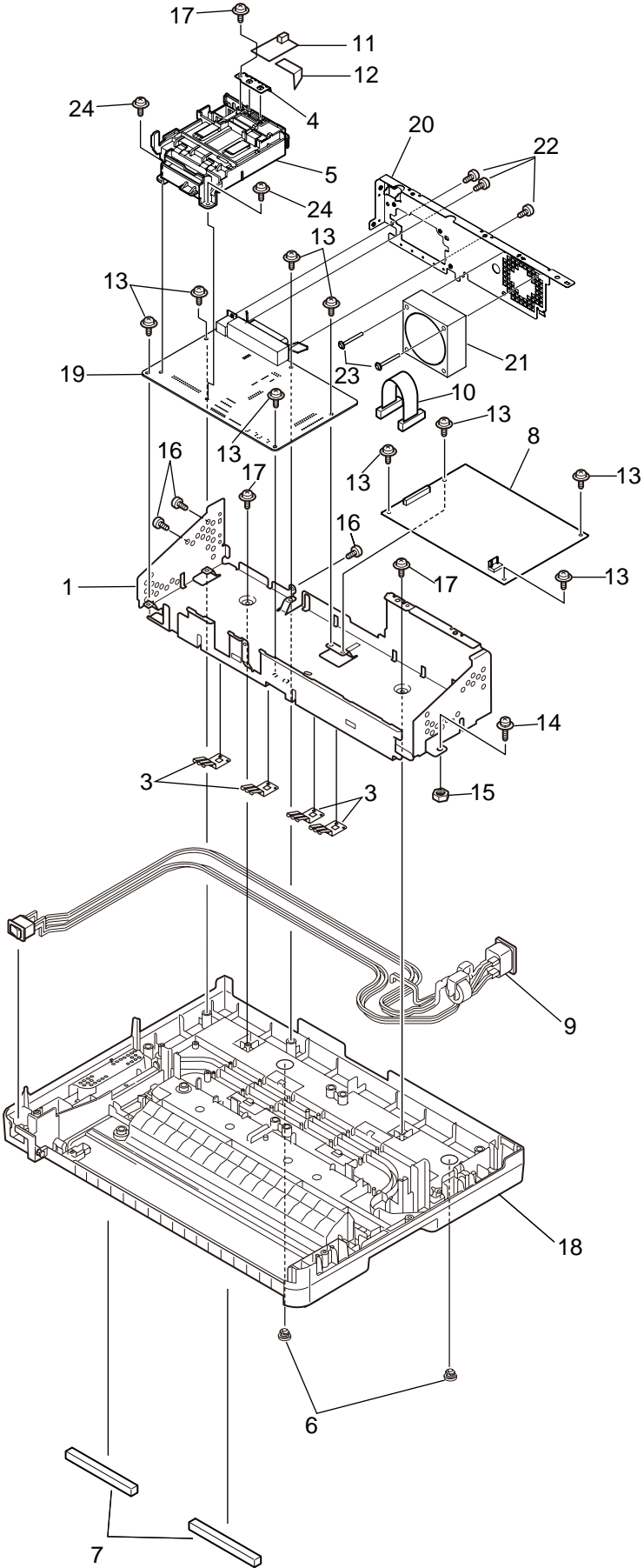


Revision 3

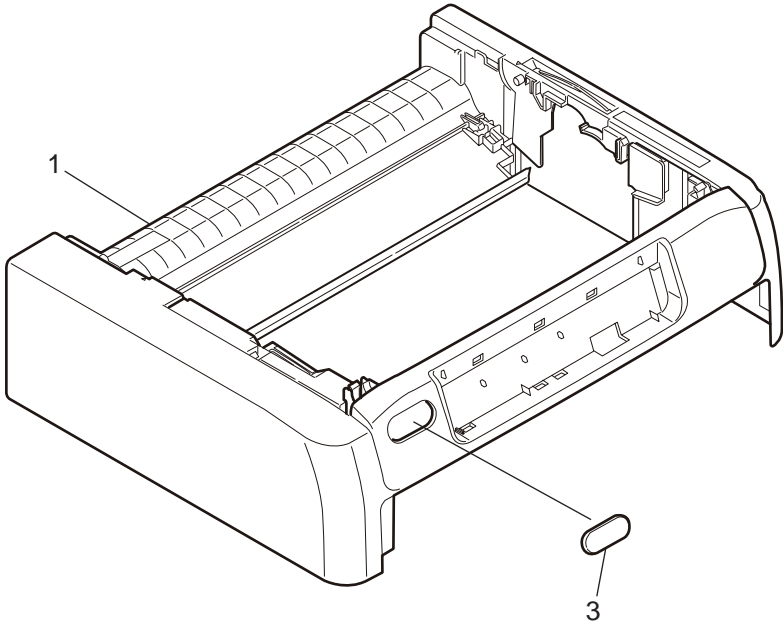
Printer General Assy



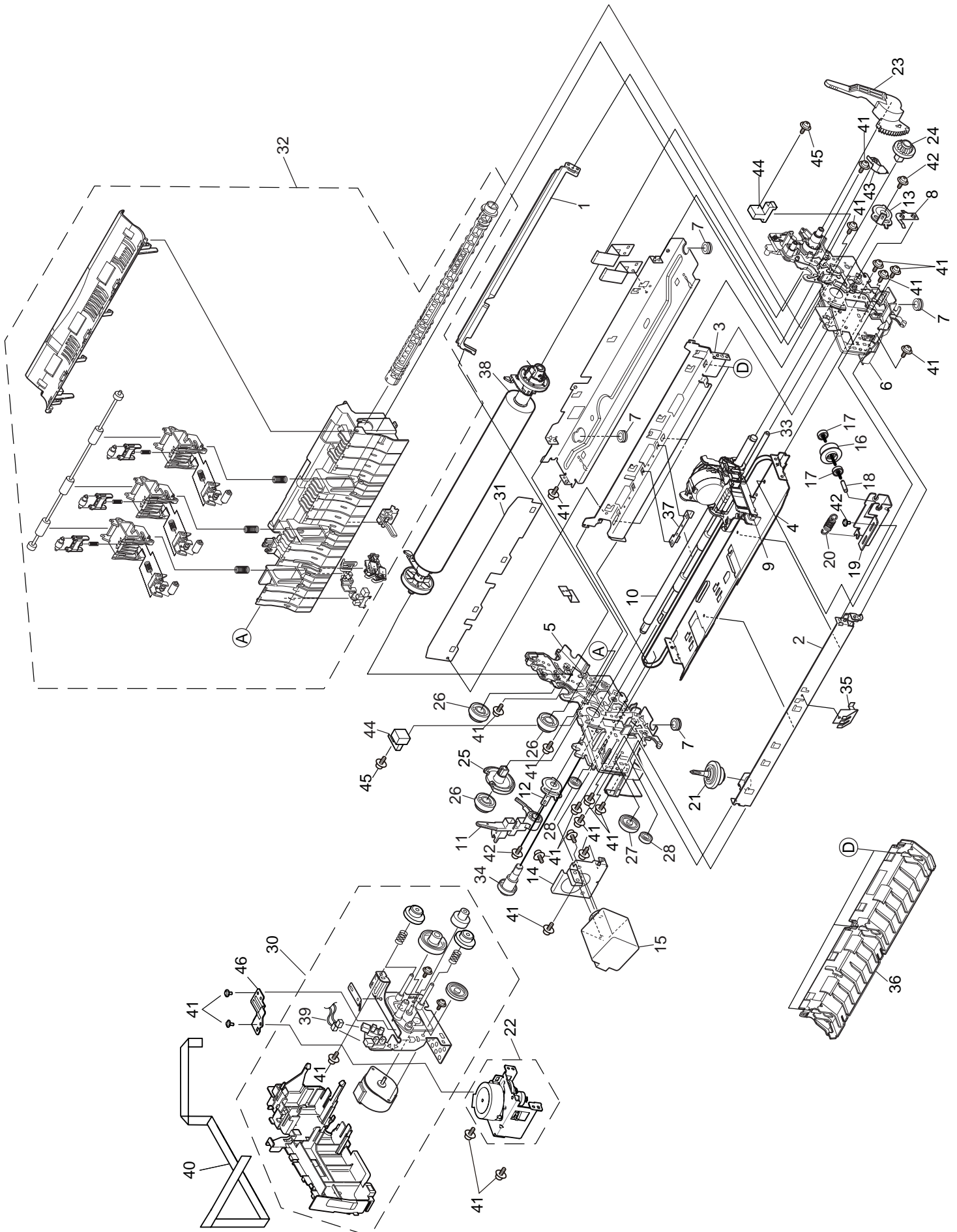
Lower Cover Assy



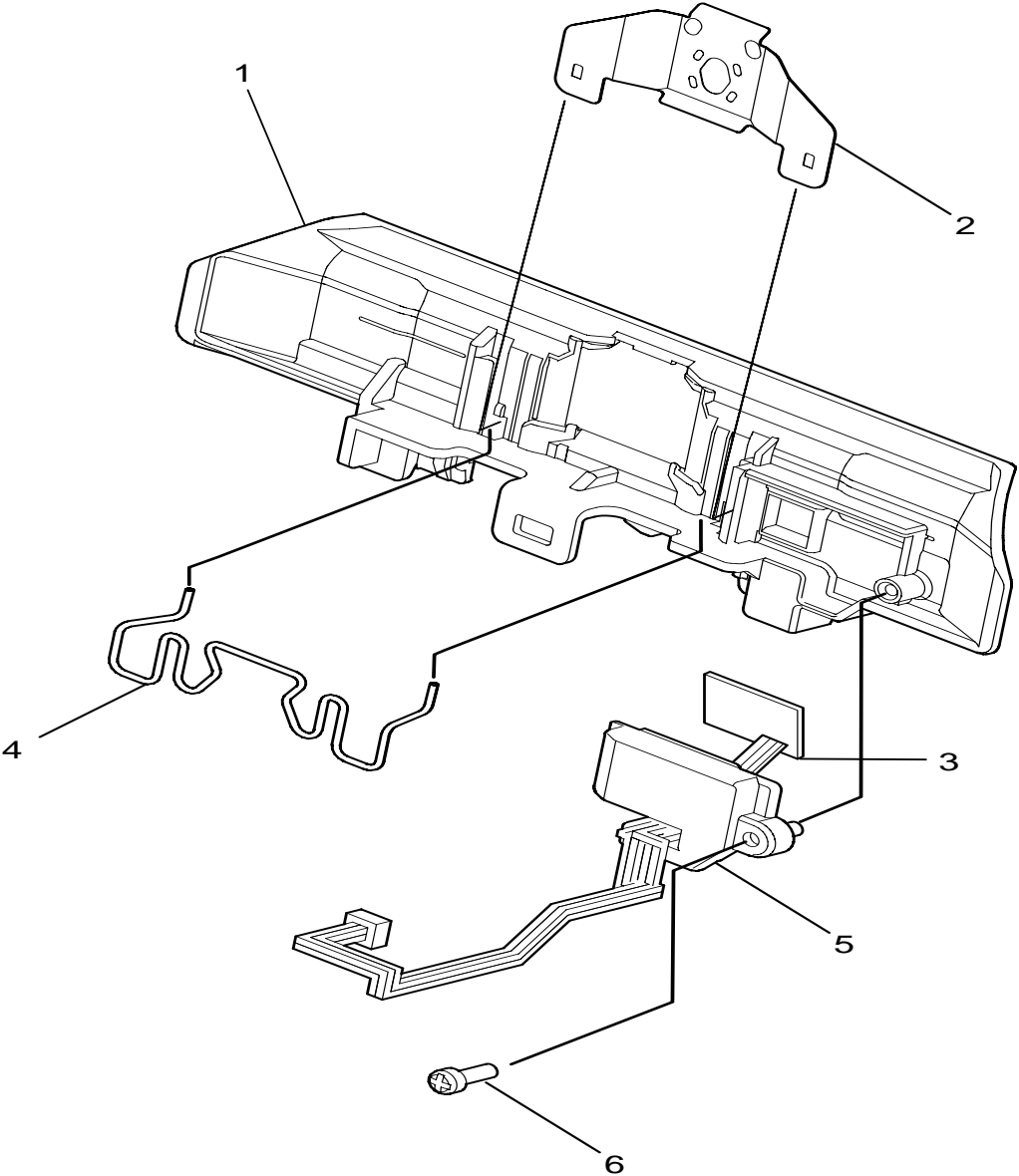
Upper Cover Assy



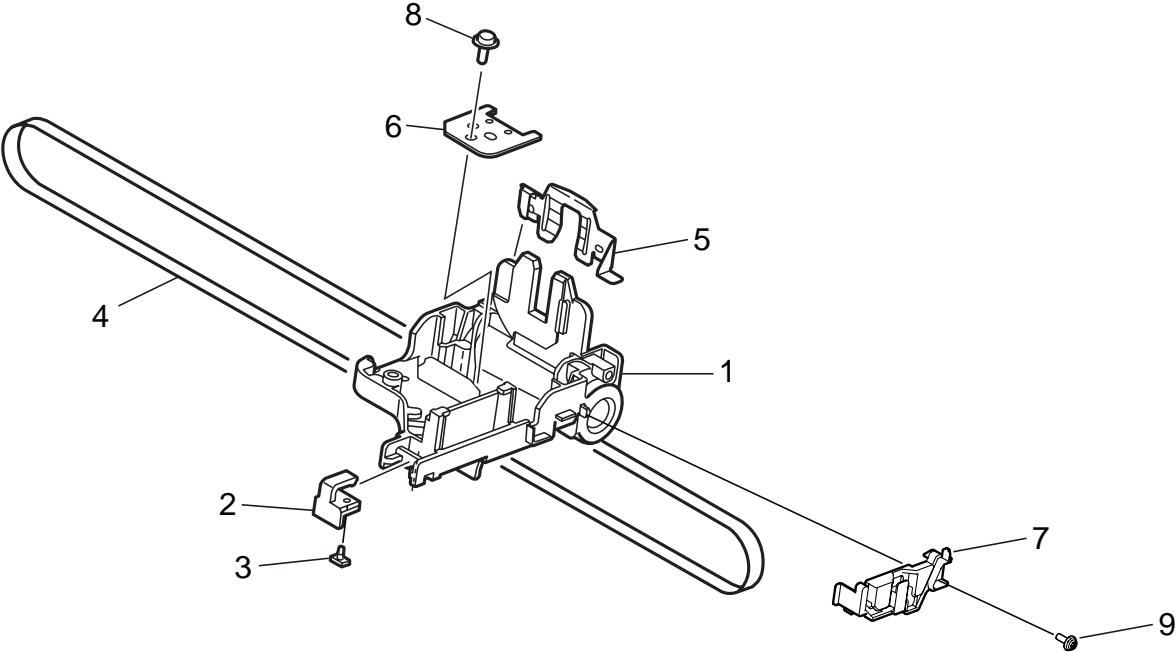
Printer Unit



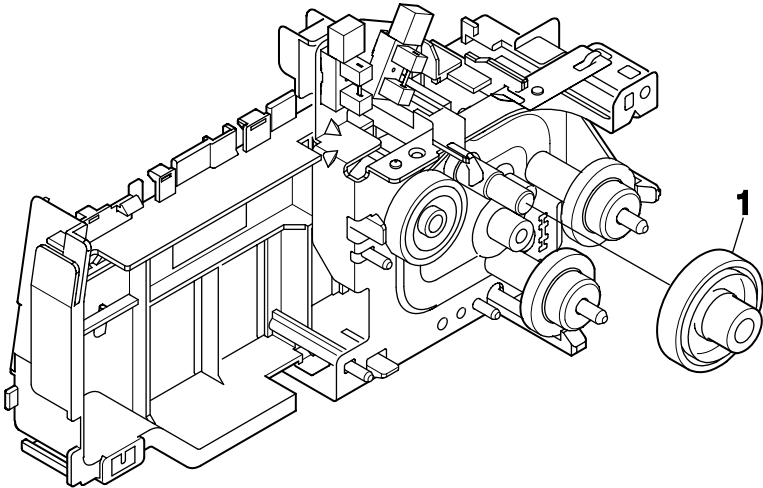
Ribbon Protector Assy



Carriage Assy



LF-Motor Assy



OEL Recommended Spare Parts List

ML5790/ML5791



Revision 9

Rev	Unit Name	No.	Part No.	Part Name	Q'ty /Unit	Recommended Q'ty/Year			Remarks	Special	Del /Ad d	ks for envir onmen t
						per 500	per 1000	per 2000				
	Printer General Assy	1	44210302	Cover Assy. - Lower (N24)	1	2	4	8		PD438		
	Printer General Assy	1	44210402	Cover Assy. - Lower (W24)	1	2	4	8		PD439		
	Printer General Assy	2	44211601	Plate-Shield-Upper	1	2	4	8				
	Printer General Assy	3	44211701	Cover Assy. - Upper (N) Sticking	1	2	4	8		PD438		
	Printer General Assy	3	44211801	Cover Assy. - Upper (W) Sticking	1	2	4	8		PD439		
	Printer General Assy	4	44212201	Cover Assy. - Access	1	2	4	8		PD438		
	Printer General Assy	4	44212301	Cover Assy. - Access (W) Sticking	1	2	4	8		PD439		
	Printer General Assy	5	44224401	Sheet-Guide-Assy. (N) Rear	1	2	4	8		PD438		
	Printer General Assy	5	44224501	Sheet-Guide-Assy. (W) Rear	1	2	4	8		PD439		
	Printer General Assy	6	44213901	Cover-Front (N). -Assy	1	2	4	8		PD438		
	Printer General Assy	6	44214101	Cover-Front (W). Assy	1	2	4	8		PD439		
	Printer General Assy	7	44216007	OP Panel Assy. -ML5790	1	2	4	8		PD438		
	Printer General Assy	7	44216008	OP Panel Assy. -ML5791	1	2	4	8		PD439		
4	Printer General Assy	7	44216014	OP Panel Assy. - ML5790eco	1	2	4	8		PD438		
4	Printer General Assy	7	44216015	OP Panel Assy. - ML5791eco	1	2	4	8		PD439		
	Printer General Assy	8	44215701	Tractor-Assy (N)	1	2	4	8		PD438		
	Printer General Assy	8	44215901	Tractor-Assy (W)	1	2	4	8		PD439		
	Printer General Assy	9	44225401	Roller-Pull-Up-Unit-(N)	1	2	4	8		PD438		
	Printer General Assy	9	44225501	Roller-Pull-Up-unit-(W)	1	2	4	8		PD439		
	Printer General Assy	10	44226901	Bracket-Side-L	1	2	4	8				
	Printer General Assy	11	44211201	Plate-FG	1	2	4	8				
	Printer General Assy	12	44315001	Cover-Open-Assy	1	2	4	8		PD438		
	Printer General Assy	12	44315002	Cover-Open-Assy	1	2	4	8		PD439		
	Printer General Assy	13	44228101	Printer Unit-(N24)	1	2	4	8		PD438		
	Printer General Assy	13	44228201	Printer Unit-(W24)	1	2	4	8		PD439		
	Printer General Assy	14	44315201	Cover-Fan-Assy.	1	2	4	8				
	Printer General Assy	15	44158904	24pin-Dot-Head-Specification (500R)	1	10	20	40				
3	Printer General Assy	16	44850801	Film-Harness	1	2	4	8				
	Printer General Assy	22	44314701	Protector-Ribbon-Assy	1	5	10	20				
	Printer General Assy	23	44232201	Clamp-Home-Sensor	1	2	4	8				
	Printer General Assy	24	44232301	Clamp-Head-Cable	1	2	4	8				
	Printer General Assy	25	6520028M0001	GP1A173LCS2F	1	5	10	20				
	Printer General Assy	26	44311401	Head-Cord-21-N (Bending-Figure)	1	5	10	20		PD438		
	Printer General Assy	26	44311501	Head-Cord-21-W (Bending-Figure)	1	5	10	20		PD439		
	Printer General Assy	27	44311601	Head-Cord-23-N (Bending-Figure)	1	5	10	20		PD438		
	Printer General Assy	27	44311701	Head-Cord-23-W (Bending-Figure)	1	5	10	20		PD439		
	Printer General Assy	28	44232601	Film-Guide-Head-Cable	1	2	4	8		PD438		

Rev	Unit Name	No.	Part No.	Part Name	Q' ty /Unit	Recommended Q' ty/Year			Remarks	Special	Del /Add	ks for environment
						per 500	per 1000	per 2000				
	Printer General Assy	28	44232602	Film-Guide-Head-Cable	1	2	4	8		PD439		
7	Printer General Assy	29	44876801	Film-Guide-Head-Cable-Low	1	2	4	8				
	Printer General Assy	31	44227601	Knob-Platen	1	2	4	8				
	Printer General Assy	32	44241401	Sheet-Guide-Assy.Front (N)	1	2	4	8		PD438		
	Printer General Assy	32	44241801	Sheet-Guide-Assy. - Front (W)	1	2	4	8		PD439		
	Printer General Assy	33	44332001	OR-Board Assy-OP1	1	2	4	8				
8	Printer General Assy	34	1051300C0001	FSRC410150RN000T	2	4	8	16		Q' ty of ODA is 2/Unit, Q' ty of OEL/AOS is 1/Unit		
	Printer General Assy	35	44212101	Film-Cover	1	2	4	8				
	Printer General Assy	36	44627501	Guide-Pull-Up (N)	1	2	4	8		PD438		
	Printer General Assy	36	44627601	Guide-Pull-Up (W)	1	2	4	8		PD439		
	Lower Cover Assy	1	44211101	Plate-Shield-Lower	1	2	4	8				
	Lower Cover Assy	3	44211201	Plate-FG	4	8	16	32				
	Lower Cover Assy	4	44211301	Plate-FG-PCB	1	2	4	8				
	Lower Cover Assy	5	44211401	Plate-PCB	1	2	4	8				
	Lower Cover Assy	6	4PB4025-1137P002	Rubber leg	2	4	8	16				
6	Lower Cover Assy	7	44870601	Rubber-leg	2	4	8	16				
	Lower Cover Assy	8	44495702	PWR unit (Spare Parts 200V)	1	5	10	20		230V		
	Lower Cover Assy	9	44204201	Power Cable Assy	1	2	4	8		PD438		
	Lower Cover Assy	9	44204202	Power Cable Assy	1	2	4	8		PD439		
	Lower Cover Assy	10	44164801	CONN Cord-Wire-PWR unit	1	2	4	8				
	Lower Cover Assy	11	44331901	OR-Board Assy-ACF	1	2	4	8				
	Lower Cover Assy	12	44339601	CSF-Cable (Bending-Figure)	1	2	4	8				
	Lower Cover Assy	15	2N4-HH	Nut	1	2	4	8				
	Lower Cover Assy	18	44210901	Cover-Lower (N)	1	2	4	8		PD438		
	Lower Cover Assy	18	44211001	Cover-Lower (W)	1	2	4	8		PD439		
	Lower Cover Assy	19	44665802	MBA-PCB Assy. maintenance Spec.	1	5	10	20		OEL		
	Lower Cover Assy	20	44289401	Plate-Shield-PCB	1	2	4	8				
	Lower Cover Assy	21	2702000P0002	2410ML-01W-B49-B01	1	2	4	8				
	Upper Cover Assy	1	44211902	Cover-Upper (N)	1	2	4	8		PD438		
	Upper Cover Assy	1	44212002	Cover-Upper (W)	1	2	4	8		PD439		
	Printer Unit	1	44645401	Beam-Rear- (N)	1	2	4	8				
	Printer Unit	1	44645501	Beam-Rear- (W)	1	2	4	8				
	Printer Unit	2	44228701	Beam-Guide- (N)	1	2	4	8		PD438		
	Printer Unit	2	44228801	Beam-Guide- (W)	1	2	4	8		PD439		
	Printer Unit	3	44228901	Beam-SP- (N)	1	2	4	8		PD438		
	Printer Unit	3	44229001	Beam-SP- (W)	1	2	4	8		PD439		

Rev	Unit Name	No.	Part No.	Part Name	Q' ty /Unit	Recommended Q' ty/Year			Remarks	Special	Del /Add	ks for environment
						per 500	per 1000	per 2000				
	Printer Unit	4	44229101	Frame-Cable-N	1	2	4	8		PD438		
	Printer Unit	4	44229201	Frame-Cable-W	1	2	4	8		PD439		
	Printer Unit	5	44229301	Frame-Side-(L)-Outsert	1	2	4	8				
	Printer Unit	6	44229501	Frame-Side-(R)-Outsert	1	2	4	8				
	Printer Unit	7	44229801	Rubber-Damper	4	8	16	32				
	Printer Unit	8	44627001	Spring-Earth-A	1	2	4	8				
	Printer Unit	9	44230701	Carriage Assy. -(N)	1	2	4	8		PD438		
	Printer Unit	9	44230901	Carriage Assy. -(W)	1	2	4	8		PD439		
	Printer Unit	10	44232901	Shaft-Carriage-N(10)	1	2	4	8		PD438		
	Printer Unit	10	44233001	Shaft-Carriage-W(14)	1	2	4	8		PD439		
	Printer Unit	11	44233201	Lever-Adjust (HG)	1	2	4	8				
	Printer Unit	12	44233301	Knob-Adjust-L	1	2	4	8				
	Printer Unit	13	44233401	Knob-Adjust-R	1	2	4	8				
	Printer Unit	14	44233501	Bracket-SP-Motor	1	2	4	8				
	Printer Unit	15	44282301	Motor-Pulse	1	2	4	8				
	Printer Unit	16	44233601	Pulley-Idle	1	2	4	8				
	Printer Unit	17	40870601	Bearing	2	4	8	16				
	Printer Unit	18	44233701	Shaft-Idle-Pulley	1	2	4	8				
	Printer Unit	19	44233801	Bracket-Pulley-Idle	1	2	4	8				
	Printer Unit	20	44233901	Spring	1	2	4	8				
	Printer Unit	21	44234001	Gear-Ribbon-Feed	1	2	4	8				
	Printer Unit	22	44234201	Ribbon-Feed-Assy.	1	2	4	8				
	Printer Unit	23	44235301	Lever-Rerease	1	2	4	8				
	Printer Unit	24	44235601	Shaft-Rerease-Gear	1	2	4	8				
	Printer Unit	25	44235701	Plate-Change	1	2	4	8				
	Printer Unit	26	44237001	Gear-Idle-A	3	6	12	24				
	Printer Unit	27	44629401	Gear-Idle-B	1	2	4	8				
	Printer Unit	28	44237201	Gear-Idle-C	2	4	8	16				
	Printer Unit	30	44235802	LF-Motor Assy. -	1	2	4	8				
	Printer Unit	31	44237401	Leaf-Spring-N	1	2	4	8		PD438		
	Printer Unit	31	44237501	Leaf-Spring-W	1	2	4	8		PD439		
	Printer Unit	32	44237601	Paper-Pan-Assy. -(N)	1	2	4	8		PD438		
	Printer Unit	32	44237701	Paper-Pan-Assy-(W)	1	2	4	8		PD439		
	Printer Unit	33	44239801	Roller-Feed-Front-(N)	1	2	4	8		PD438		
	Printer Unit	33	44239901	Roller-Feed-Front-(W)	1	2	4	8		PD439		
	Printer Unit	34	44240001	Gear-Feed	1	2	4	8				
	Printer Unit	35	44240101	Spring-Earth-B	1	2	4	8				

Rev	Unit Name	No.	Part No.	Part Name	Q' ty /Unit	Recommended Q' ty/Year			Remarks	Special	Del /Ad d	ks for environmen t
						per 500	per 1000	per 2000				
	Printer Unit	36	44240201	Sheet-Guide-Front-N	1	2	4	8		PD438		
	Printer Unit	36	44240301	Sheet-Guide-Front-W	1	2	4	8		PD439		
	Printer Unit	37	44305501	Spring-Roller-Feed-Front	1	2	4	8				
	Printer Unit	38	44227201	Platen Assy. -(N)	1	3	6	12		PD438		
	Printer Unit	38	44227301	Platen Assy. -(W)	1	3	6	12		PD439		
	Printer Unit	39	44284101	SNS2-Sensor-Cable	1	2	4	8				
	Printer Unit	40	44311001	OP-Panel-Cable-20-N(Bending-Figure)	1	2	4	8		PD438		
	Printer Unit	40	44311101	OP-Panel-Cable-20-W(Bending-Figure)	1	2	4	8		PD439		
	Printer Unit	43	44333001	Spring-Earth-Platen-R	1	2	4	8				
	Printer Unit	44	44637901	Piece-Paper-Pan	2	4	8	16				
	Printer Unit	46	44449201	Bracket-LF-Ribbon-Feed	1	2	4	8				
	Ribbon Protector Assy	1	44636901	Bracket-Protector-Ribbon	1	5	10	20				
	Ribbon Protector Assy	2	44636801	Protector-Ribbon	1	5	10	20				
	Ribbon Protector Assy	3	44491601	Sensor Assy. -PAPER WIDTH	1	2	4	8				
	Ribbon Protector Assy	4	44502501	Spring-FG-Protector	1	2	4	8				
	Ribbon Protector Assy	5	44472301	Cover-Sensor	1	2	4	8				
	Carriage Assy	1	44231203	Frame-Carriage	1	2	4	8		PD438		
	Carriage Assy	1	44231204	Frame-Carriage	1	2	4	8		PD439		
	Carriage Assy	2	44231601	Holder-Slider	1	2	4	8				
	Carriage Assy	3	44282601	Piece-Slider	1	2	4	8				
	Carriage Assy	4	44231701	Belt-SP	1	3	6	12		PD438		
	Carriage Assy	4	44231702	Belt-SP	1	3	6	12		PD439		
	Carriage Assy	5	3PP4044-5068P001	HEAD CLAMP HOLDER	1	2	4	8				
	Carriage Assy	6	44232101	Clamp-Belt	1	2	4	8				
	Carriage Assy	7	44472401	Cover-Sensor-Cable	1	2	4	8				
9	LF-Motor Assy. -	1	44236701	Gear-LF-Idle	1	2	4	8			A	